



724 Size Selectable Hydraulic Door Closer





Size Selectable Hydraulic Door Closer

724 Size Selectable Hydraulic Door Closer

Completing the Lockwood Arrow door closer package of adjustable door closers, this selectable closer can be easily adjusted to the required strength to suit most standard size doors.

Features & Specifications

Materials:

Extruded aluminium body. Alloy steel rack and pinion mechanism operated by silicon chrome steel alloy springs, steel arms. Fully formed powdercoated steel cover.

Overload Protection:

Pressure relief valves are fitted to all units. Closing the door with excessive force will activate the pressure relief valve reducing the hydraulic pressure and preventing damage to the door closer.

Controls:

Independent hydraulic valves control door closing and latching speeds.

Backcheck:

Backcheck cushions or slows the opening movement of the door prior to reaching final open position. Mandatory on all fire doors. Backcheck available on selected models.

Handing:

All 724 Series door closers are non-handed, therefore final assemblies are suitable for clockwise or anti-clockwise opening doors.

Hold-Open:

The non-handed hold-open feature is available for each application except for fire doors.

Fire Doors:

Lockwood Arrow 724 series hydraulic door closers have been successfully tested on fire door assemblies in accordance with Australian Standard AS 1905 Part 1, 1997 Fire Resistant Doorsets.

Finishes

Standard

Silver Powdercoat SIL
Bronze Powdercoat BRZ
Gold Powdercoat GLD

Available in Trade and Display Pack.



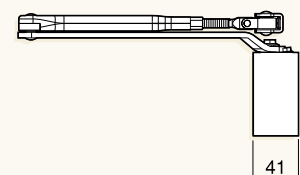
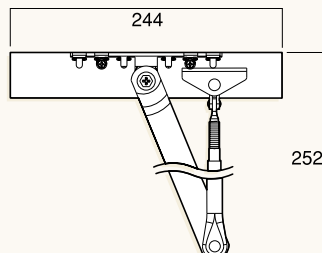
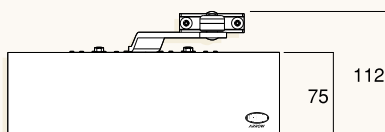
The power of the door closer is altered by adjusting the position of the door closer body on the mounting plate. Location lugs on the backplate enable the door closer power to be quickly changed. Easy to read position indicators show the selectable size range.

Power Selection Chart

Closing Force Settings			
Exterior Door Width	Maximum Door Weight	Closing Moment (approx.)	Size Settings
850 mm	40 kg	13Nm	2
950 mm	60 kg	18Nm	3
1100 mm	80 kg	26Nm	4

Note: Size 2 only on parallel arm.

724 Series Limiting Dimensions



Size Selectable Hydraulic Door Closer

724 Size Selectable Hydraulic Door Closer

Standard Features:

- Backcheck (optional).
- Adjustable latching speed.
- Adjustable closing speed.
- The convenience of adjustable power sizes 2-4.
- Can be tailored to the requirements of the door by simple adjustments.
- Low inventory cost due to multi function.
- Compact closer design.
- Hold-open adjustment at any angle on all mounts.
- Excellence in versatility with quality assured.
- Lockwood Guaranteed.
- Tested in excess of 500,000 cycles.
- Conforms to ANSI/BHMA A156.4-1992.



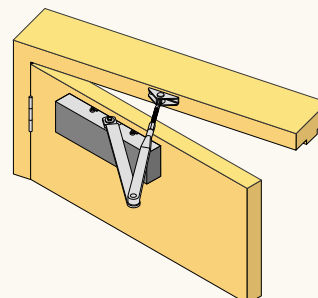
Standard Arm

Closer installed on pull side of door. Standard mounting position permits door opening of 180°.

If hold-open is installed the hold-open range is available at all angles.

Function numbers:

Non hold-open	724
Non hold-open backcheck	724BC
Hold-open	724H



Parallel Arm

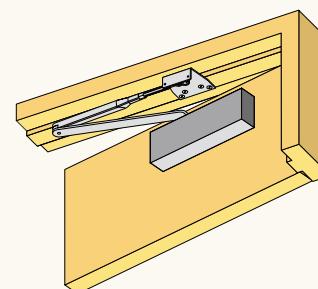
Closer installed on push side of door. Standard mounting position permits door opening of 180°.

If hold-open is installed the hold-open range is available at all angles.

Function numbers:

Non hold-open	724
Non hold-open backcheck	724BC
Hold-Open	724H

Parallel Arm Add bracket SP724-157 to each function.



Over Door Mounting

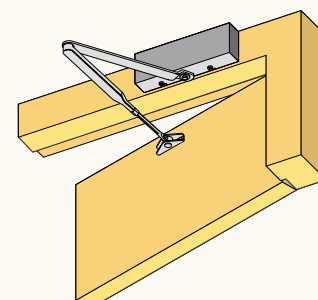
Closer installed on push side of door, and top rail where conditions do not allow parallel mounting.

Standard mounting position permits door opening of 180°.

If hold-open is installed the hold-open range is available at all angles.

Function numbers:

Non hold-open	724
Non hold-open backcheck	724BC
Hold-open	724H





Visit us at: www.lockwoodsecurity.com.au

Sales Offices & Authorised Agents

Victoria – Head Office

50 Edward Street
Oakleigh Vic. 3166
Telephone (03) 8574 3888
Facsimile (03) 8574 3788

Queensland South

450 Sherwood Road
Sherwood Qld 4075
Telephone (07) 3373 5200
Facsimile (07) 3373 5256

Queensland North

Ralph Buck Agencies
15 Mackley Street
Garbutt Qld 4814
Telephone (07) 4779 0177
Facsimile (07) 4775 1480

New South Wales

Unit 7, 192 Kingsgrove Road
Kingsgrove NSW 2208
Telephone (02) 9554 4011
Facsimile (02) 9554 3772

South Australia

182 Magill Road
Norwood SA 5067
Telephone (08) 8364 1930
Facsimile (08) 8364 1931

Western Australia

45 Gladstone Street
East Perth WA 6004
Telephone (08) 9227 9588
Facsimile (08) 9227 8913

Tasmania

23 Antill Street
South Hobart Tas. 7000
Telephone (03) 6223 5404
Facsimile (03) 6224 0435

Northern Territory

Taylor Enterprises
Lot 1360 Makagon Road
Berrimah NT 0828
Telephone (08) 8984 3653
Facsimile (08) 8947 0082



Manufacturing Plants

Victoria

50 Edward Street
Oakleigh Vic. 3166
Telephone (03) 8574 3888
Facsimile (03) 8574 3788

Queensland

450 Sherwood Road
Sherwood Qld 4075
Telephone (07) 3373 5200
Facsimile (07) 3373 5256

New Zealand

Auckland

9B Mahunga Drive
Mangere Bridge
Auckland New Zealand
Telephone (09) 634 5590
Facsimile (09) 634 5589

Christchurch

73 Durham Street
Christchurch New Zealand
Telephone (03) 379 4810
Facsimile (03) 379 4819

Wellington

47 Kenepuru Drive
Porirua
Wellington New Zealand
Telephone (04) 237 0808
Facsimile (04) 237 0060

Export Department

50 Edward Street
Oakleigh Vic. 3166
Telephone +61 (0)3 8574 3888
Facsimile +61 (0)3 8574 3789

Asian Offices

ASSA ABLOY – Malaysia

ASSA ABLOY – Singapore

ASSA ABLOY – Thailand

ASSA ABLOY – Hong Kong

ASSA ABLOY – Shanghai

ASSA ABLOY – Beijing

Contact the Export Department, Australia for details.

Worldwide Distributors

Contact the Export Department, Australia for details.



Lockwood Guarantee

Lockwood Security Products Pty Limited ("Lockwood") guarantees its products against defects in workmanship and materials. If within the normal working life of a product it is found to be defective, Lockwood will supply the same or an equivalent product free of charge.

All electrical components used in our products are guaranteed for a period of five years from the date of manufacture. Lockwood however, assumes no liability under this guarantee for the following:

1. Improper installation or failure to follow fitting instructions.
2. Failure due to improper maintenance or fair wear and tear.
3. Indirect or consequential loss or damage.
4. Cost of removal and/or replacement.

5. Cost of freight and/or travelling time.

6. The plated finishes, Florentine Bronze, Architectural Bronze, Polished Brass, Gold and Satin Brass are classified as soft finishes. As deterioration is possible under some climatic conditions, these finishes are excluded from this guarantee.

7. Any modification to a product as supplied, or repairs, unless authorised by Lockwood.

8. Use of replacement parts other than authorised parts.

9. Malfunction or failure of the product due to the use of non-genuine Lockwood parts.

Nothing in the Lockwood guarantee excludes, restricts or modifies any condition, warranty, right or liability implied or protected by law where to do so would render the Guarantee, or any part of it, void.



Lockwood Security Products Pty Limited ABN 90 086 451 907

An ASSA ABLOY Group company

ASSA ABLOY